

SPECIFICATIONS:

Manually Operated Hydraulic Spool Valve.
 Three Way, Directional Control or Selector Valve.
 Maximum System Pressure: Ports
 1, 2, and 3) is 3,000 PSIG. See "SHIFT FORCE NOTES"
 Fluid temperature -40°F (-40°C) to 200°F (93.3°C)
 Install Cartridge Valve using No. 471 Spanner Tool.
 Valve should screw in freely to the Mount Seal.
 Final tightening to 15 foot pounds torque.
 Use lubricant on external oil seals and mounting

OPTIONS

Hand Button Operator Shown.
 Valve is available with Direct Plunger operator.
 Standard seals are Buna-N with Teflon back up rings.
 Optional seals include Viton, Teflon and others.
 Keys 7 & 20 are vents to atmosphere.
 T Option provides 10-32 Threaded ports at these
 locations. Key 6 Filter is not used with T Option.

TOOLING

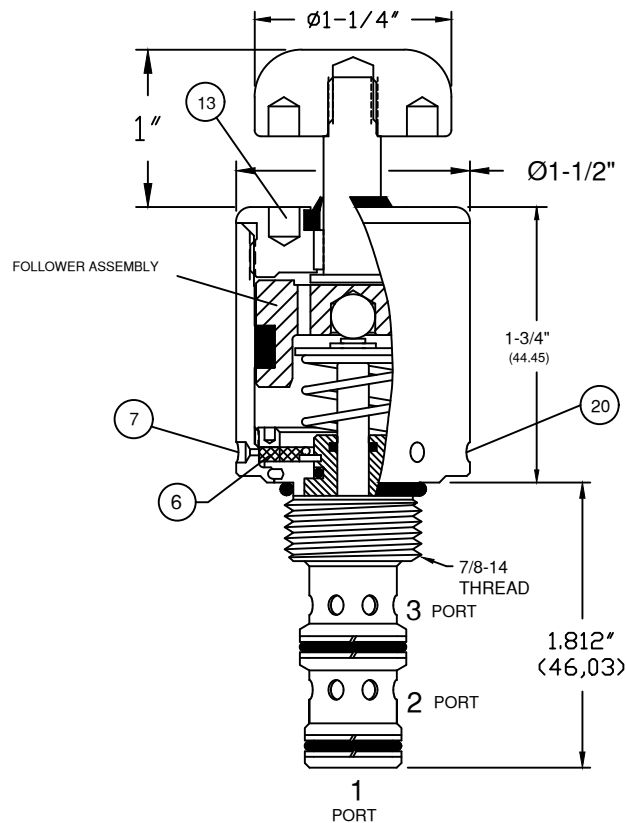
- 1/8 (3.175) Pin Spanner Tool
 Order No. 471, Ref. Key No. 20
- 3/16 (4.763) Face Spanner Tool
 Order No. 482, Ref. Key No. 13

SHIFT FORCE NOTES:

10 to 15 Pounds of Force is
 required to shift the valve
~~space~~ with zero pressure on

Any pressure on Port No. 1
 will increase Force Requirement
 by .012 X Port No. 1 PSI.

CARTRIDGE VALVE



Cavity & Housing

Cavity & Tooling C-8543 (10-3):
 See Spec. Sheet 1200634

Line Mount Housings:
 See Spec. Sheet 1200673 & 1201903

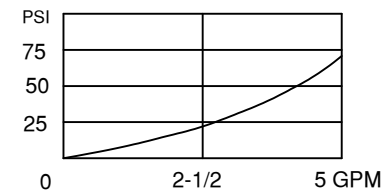
Panel Mount Housings & Spacers:
 See Spec. Sheets
 1202983 and 1202990

Cavity, Tooling & Housing Info
 found at www.doering.com
 Cavities, Housings & Manifolds.

Doering Company also manufactures
 multi function and multi station
 Housings & Manifolds.

Please call for assistance.

PRESSURE DROP CHART



3PS SERIES

3 Way Spool Valve, Manually Operated.
 Directional Control or Selector Valve.

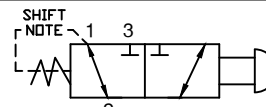
Cartridge Valve
 Order Number

Suggested Connections

Functional Symbol

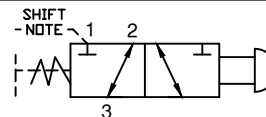
54237MOK5

3 Way, Normally Closed
 1 to TANK
 2 to CYLINDER
 3 to PRESSURE



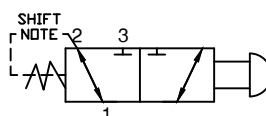
54237MOK6

3 Way, Normally Open
 1 to TANK
 2 to PRESSURE
 3 to CYLINDER



54237MOK0

3 Way, Normally Open
 1 to CYLINDER
 2 to PRESSURE
 3 to TANK



6343 RIVER ROAD SE ■ CLEAR LAKE, MN 55319 USA
 Telephone: 320-743-2276 ■ Fax: 320-743-3723
mailbox@doering.com ■ www.doering.com



DOERING