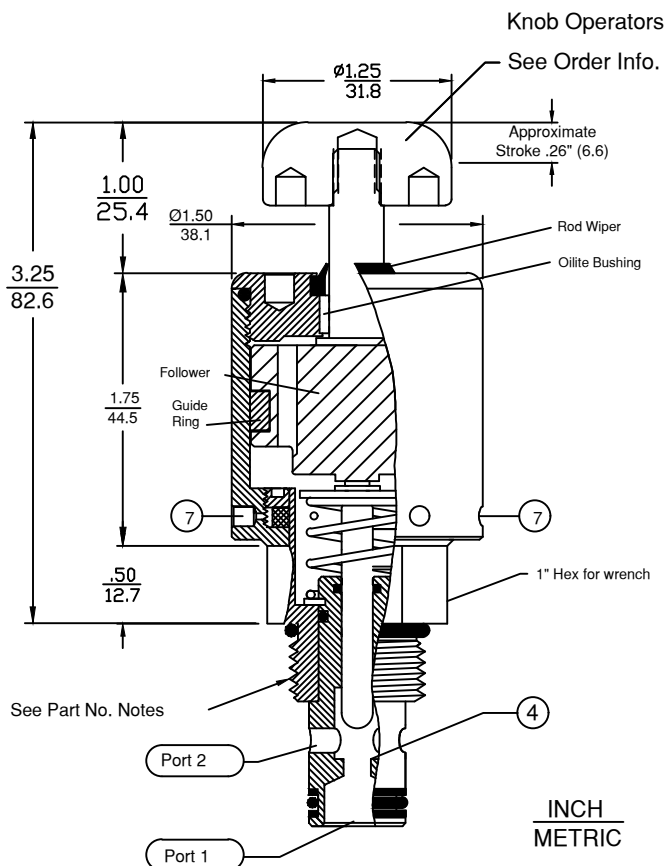


6343 RIVER ROAD SE ■ CLEAR LAKE, MN 55319 USA
 Telephone: 320-743-2276 ■ Fax: 320-743-3723
 mailbox@doering.com ■ www.doering.com



DOERING

CARTRIDGE VALVE



DESCRIPTION

A 2-Way, normally open, manually operated, push knob to close, spring-return, screw-in, directional hydraulic cartridge valve, poppet design.

FEATURES

Actuator area is isolated from system ports through a 10 Micron sintered filter.

OPERATION

Be sure to review the SHIFT FORCE NOTES. The operator force required to hold the valve closed can be high, depending on the pressures at Port No. 1 and Port No. 2. For ease of operation, use the No. 1 Port for the lower pressure in your system.

SHIFT FORCE NOTES:

Due to the Poppet Return Spring, 10 to 15 Pounds of Force is required to shift the valve poppet with zero pressure on ports 1 and 2.
 Any pressure on Port No. 1 will increase the Force Requirement by .030 X PSI.
 Any pressure on Port No. 2 will increase the Force Requirement by .003 X PSI.

RATINGS:

Working Pressure:
 Cavity C-8502, 5,000 PSI,
 Cavity C-8542, 5,000 PSI Port 1
 Cavity C-8542, 3,000 PSI Port 2
 Fluid temperature:
 -45°F, (42.7°C) to 200°F, (93.3°C)

Cavity & Housing

For 82H227MO#0 Valve:
 Cavity Drawing:
 1200630 Spec. Sheet
 Line Mount Housings:
 1200672 Spec. sheet
 Panel Mount Housings:
 1202981 and 1203290
 Spec. Sheets

Cavity & Housing

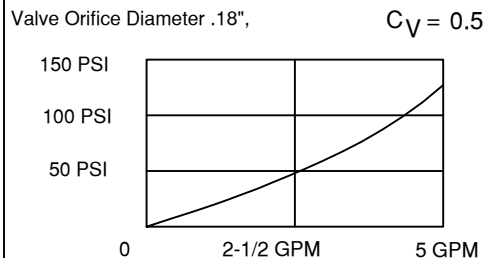
For 84H227MO#0 Valve:
 Cavity Drawing:
 1200621 Spec. Sheet
 Line Mount Housings:
 1200674 and 1201455
 Spec. Sheets
 Panel Mount Housings:
 1202982 and 1203290
 Spec. Sheets

Valve Number: **8#H227MO#0**

2 = 3/4-16 Thread
 Cavity C-8502
 (8-2)
 4 = 7/8-14 Thread
 Cavity C-8542
 (10-2)

Operators:
 N = No Knob, Threaded
 K = Knob, Aluminum
 R = Knob, Red Anodized
 S = Knob, Stainless

PRESSURE DROP CHART



2PB SERIES

