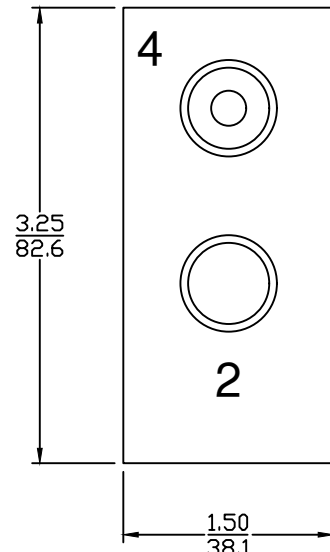
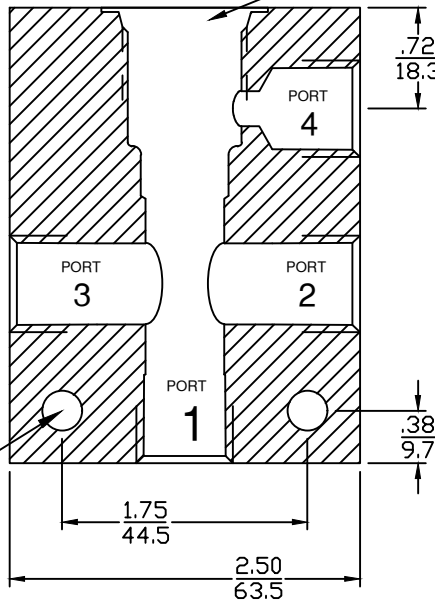
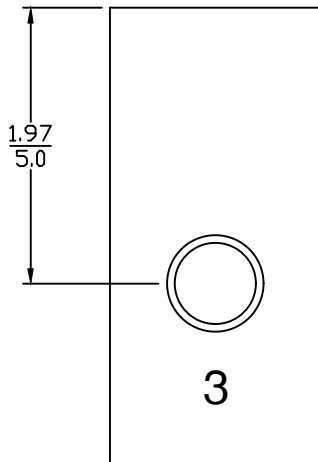


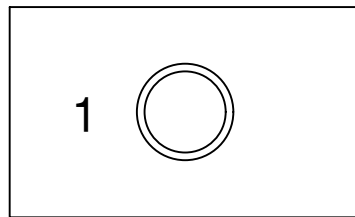
Identification
Front & Back

Valve/Pump Cavity:
Doering C-8542 (10-2)
Cavity Drawing: 1200621



Mounting Holes (2 Pl.)
9/32" Diameter,
Clearance for 1/4" or M6

INCH
METRIC



ORDER INFORMATION:

S1939-

Ports 1, 2, 3 & 4

- 1 (1/8 NPT)
- 2 (1/4 NPT)
- 3 (3/8 NPT)
- 4 (SAE4, ORB)
- 6 (SAE6, ORB)

Material Option, Pressure Rating

Blank	(6061 Aluminum)	3,000 PSIG
S	(304 Stainless)	5,000 PSIG
S316	(316 Stainless)	5,000 PSIG