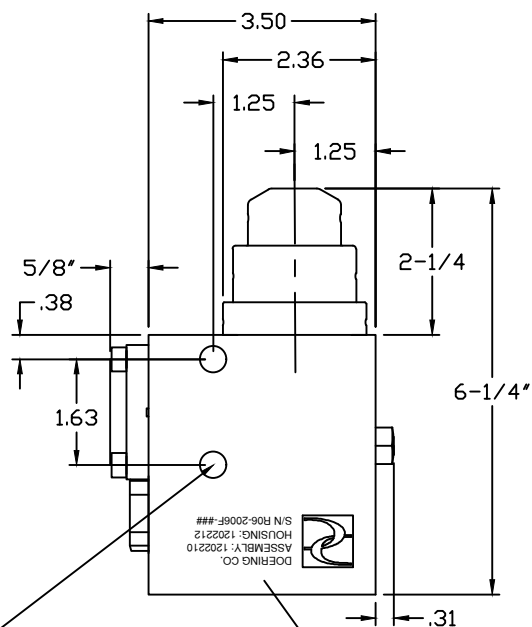


6343 RIVER ROAD SE ■ CLEAR LAKE, MN 55319 USA
 Telephone: 320-743-2276 ■ Fax: 320-743-3723
 mailbox@doering.com ■ www.doering.com



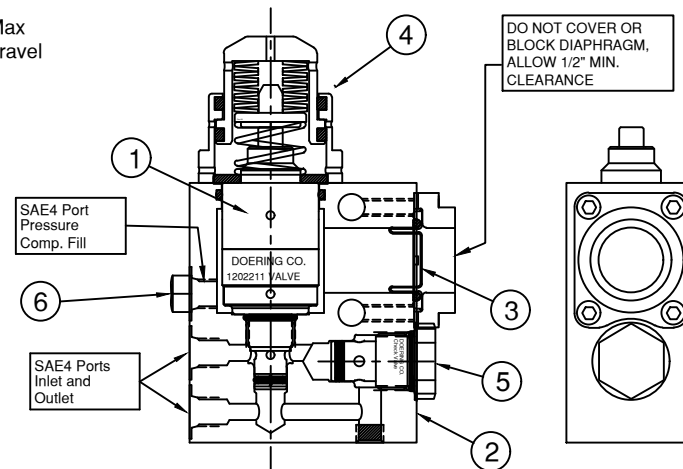
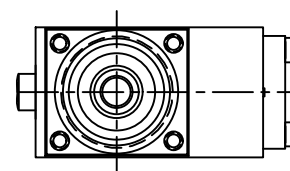
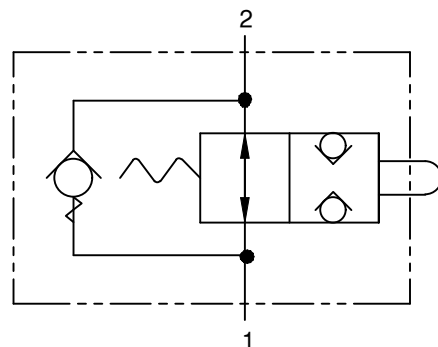
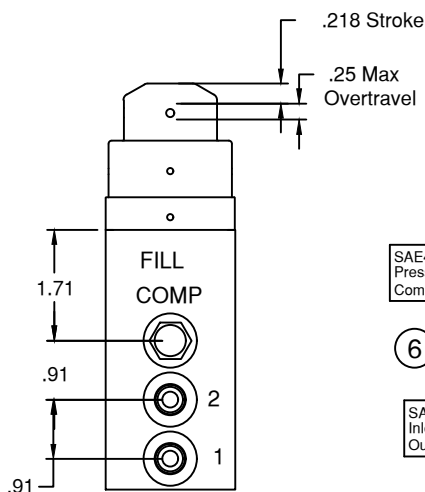
Complete Assembly order Doering P/N: 1202210
 Key Description & Doering Part Number

Key 1	1202211 Doering Valve, Material Stainless Steel
Key 2	1202212 Housing, Material Anodized Aluminum
Key 3	1202728 Pressure Compensation Diaphragm, ± 1/2" Stroke
Key 4	1202226 Pilot Dome Assembly
Key 5	DCV-N-10-N-03 replaces DCVHB-10-03 Doering Check Valve
Key 6	1202735 Plug, SAE 4, Material Stainless Steel



Ø13/32 (2 PL.)
 Clearance for 3/8" or M10
 Mounting Holes

Valve Assembly
 P/N and S/N



NOT A FILL PORT
 DO NOT REMOVE
 THIS CONST. PLUG

1202210
 Assembly