

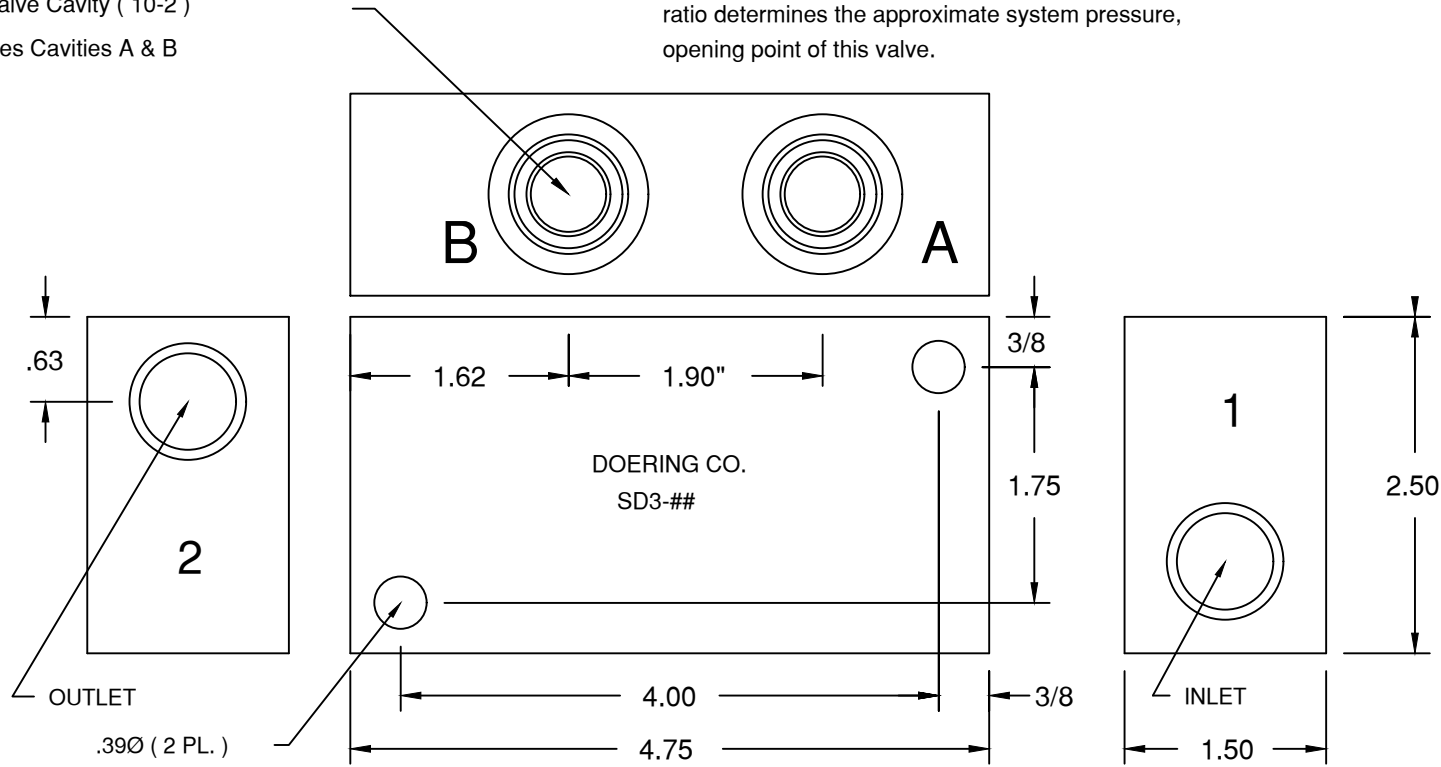
**Housing Specifications:**

Use No. 1 port for pressure inlet.  
 Use No. 2 port for pressure outlet.  
 Pressure on port 1 must be greater than  
 pressure on port 2.  
 Mounting holes: .39Ø ( Clearance for 3/8Ø )  
 Material: Stainless Steel

**Function and Valve installation information:**

Pilot Both Valves Simultaneously.  
 Cavity A: Install valve for Stage 1 Decompression.  
 Stage 1 Valve opens first due to the high ratio.  
 Stage 1 Valve installed in Cavity A has the smallest orifice  
 and provides the decompression function.  
 Cavity B: Install valve for Stage 2, Higher Flow  
 Stage 2 Valve opens when system pressure drops to a point  
 determined by the pilot ratio. Pilot pressure times the  
 ratio determines the approximate system pressure,  
 opening point of this valve.

C-8542 Valve Cavity ( 10-2 )  
 Includes Cavities A & B



STAINLESS  
ORDER NO:

- SD3-2S
- SD3-3S
- SD3-5S
- SD3-6S
- SD3-8S

ALUMINUM  
ORDER NO:

- SD3-2
- SD3-3
- SD3-5
- SD3-6
- SD3-8

INLET AND OUTLET PORTS

- 1/4 NPT
- 3/8 NPT
- 1/2 NPT
- SAE6 ( O-RING PORTS )
- SAE8 ( O-RING PORTS )

NOTE: CARTRIDGE VALVES ORDERED SEPARATELY  
 SELECT APPROPRIATE VALVES BASED ON RATIO REQUIRED

**HOUSING FOR TWO STAGE  
 DECOMPRESSION FUNCTION**

6343 RIVER ROAD SE ■ CLEAR LAKE, MN 55319 USA  
 Telephone: 320-743-2276 ■ Fax: 320-743-3723  
 mailbox@doering.com ■ www.doering.com

