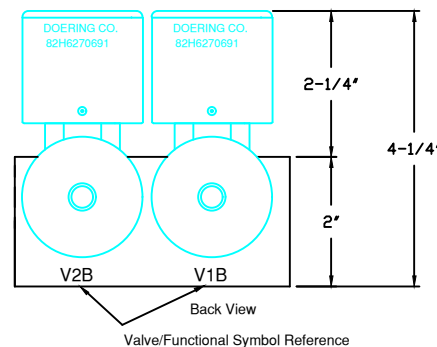
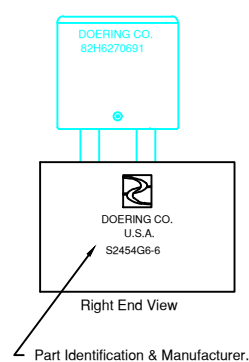
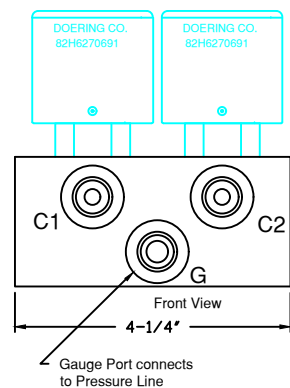
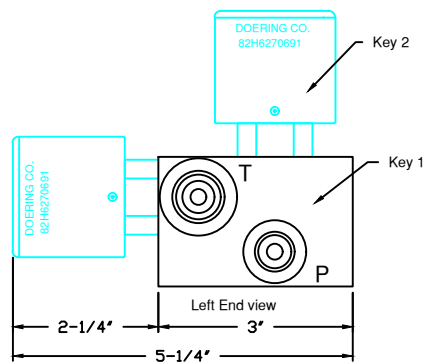
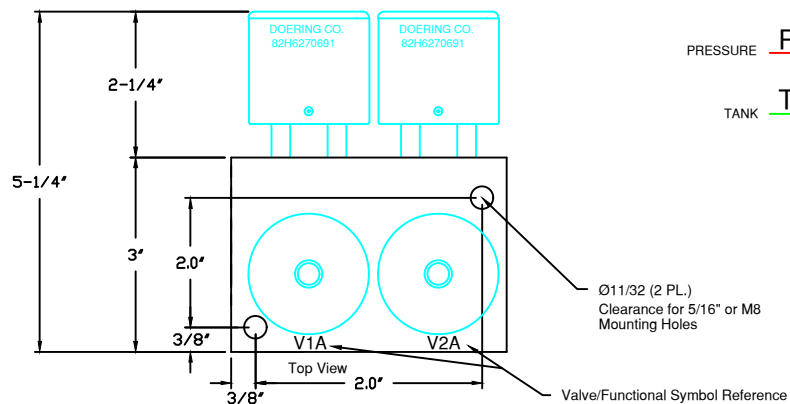
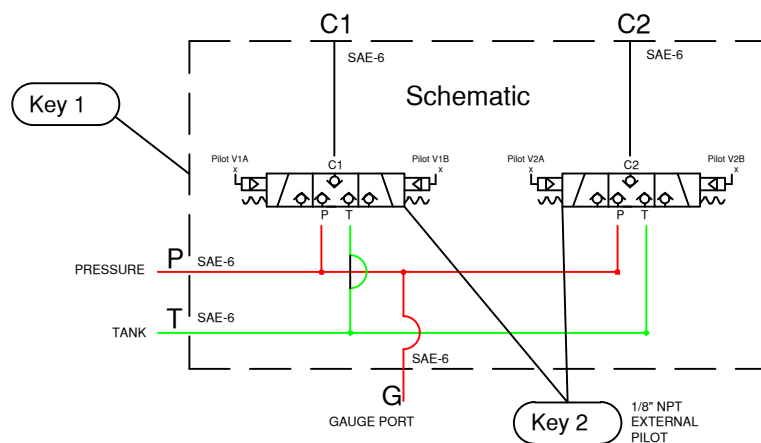


6343 RIVER ROAD SE CLEAR LAKE, MN 55319 USA
 Telephone: 320-743-2276 Fax: 320-743-3723
 mailbox@doering.com www.doering.com



DOERING



Complete Assembly order Doering P/N: 1202464

Key	Description & Doering Part Number
Key 1	Doering Manifold, P/N S2454G6-6, Aluminum, SAE6 Gauge and Working Ports
Key 2	(4 Used) 82H6270691 Doering Valves, 1/8 NPT Air Pilot Operated, 2 Way Normally Closed

Assembly Drawing
 Bill of Material
 Schematic

SPEC. SHEET NO. 1202464 REV. 002