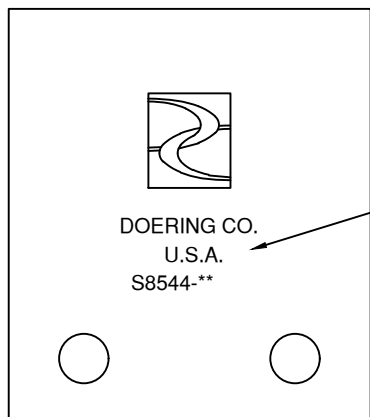


6343 RIVER ROAD SE ■ CLEAR LAKE, MN 55319 USA  
 Telephone: 320-743-2276 ■ Fax: 320-743-3723  
 mailbox@doering.com ■ www.doering.com

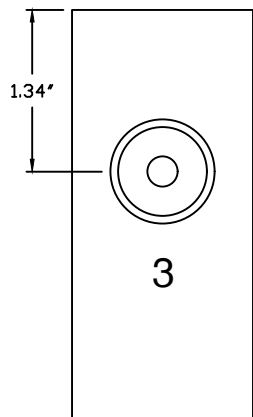


DOERING



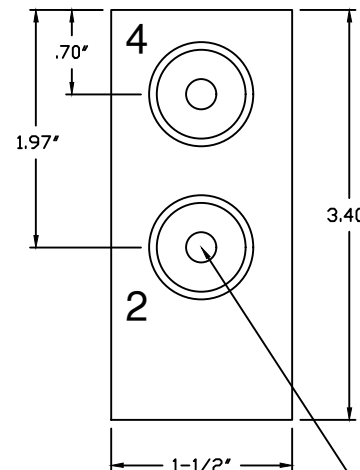
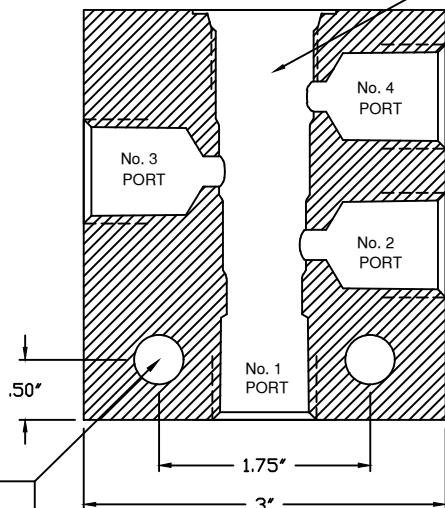
Identification  
Front & Back

Valve Cavity  
Doering C-8544  
industry 10-4



3

Ø13/32 ( 2 PL. )  
Clearance for 3/8" or M10  
Mounting Holes



Ø1/4" Diameter  
Restriction at Ports 2, 3 & 4

**ORDER INFORMATION:**

S8544W-

Ports 1, 2, 3 & 4

- 1 (1/8 NPT)
- 2 (1/4 NPT)
- 3 (3/8 NPT)
- 4 (SAE4, ORB)
- 5 (1/2 NPT)
- 6 (SAE6, ORB)
- 8 (SAE8, ORB)

**Material Option, Pressure Rating**

Blank	(6061 Aluminum)	3,000 PSIG
S	(304 Stainless)	5,000 PSIG
S316	(316 Stainless)	5,000 PSIG

Caution: Pressure Rating of Cartridge  
Valve may be less than Pressure  
Rating of the Housing.

Doering Line Mount Housing for  
Cartridge Valve, Wide Body Style.

Also see Spec. Sheet No. 1200675  
for smaller Line Mount body style.

Also see Spec. Sheet No. 1202984  
for Panel Mount Housing.