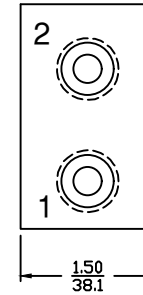
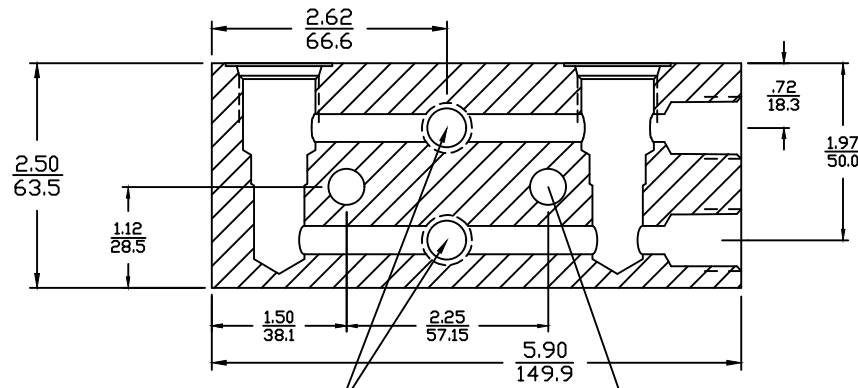


INCH
METRIC

Pump or Valve
Cavity 'A'
Doering C-8542
Industry 10-2
Spec. Sheet 1200621

Pump or Valve
Cavity 'B'
Doering C-8542
Industry 10-2
Spec. Sheet 1200621



T# (# Select Port Type)
Upper and Lower,
Front & Back (4 PL.)
Plugs not Supplied.

Mounting Holes (2 PL.)
Ø13/32 (Ref. Ø.4062)
Clearance for 3/8" or M10

ORDER INFORMATION:

S2962 -

Gauge Port Options:
Upper and Lower,
Front and Back (4 PL.)

Select Gauge Porting:
Blank No Gauge Ports
T1 (1/8 NPT)
T2 (1/4 NPT)
T4 (SAE4, ORB)
TG4 (G 1/4-19 BSPP)

Ports 1 & 2
1 (1/8 NPT)
2 (1/4 NPT)
3 (3/8 NPT)
4 (SAE4, ORB)
G4 (G 1/4-19 BSPP)
6 (SAE6, ORB)
G6 (G 3/8-19 BSPP)

Material Option, Pressure Rating
Pressure Note: Double pressure rating for Port 1 only.
Blank (6061 Aluminum) 3,000 PSIG
S (304 Stainless) 5,000 PSIG
S316 (316 Stainless) 5,000 PSIG

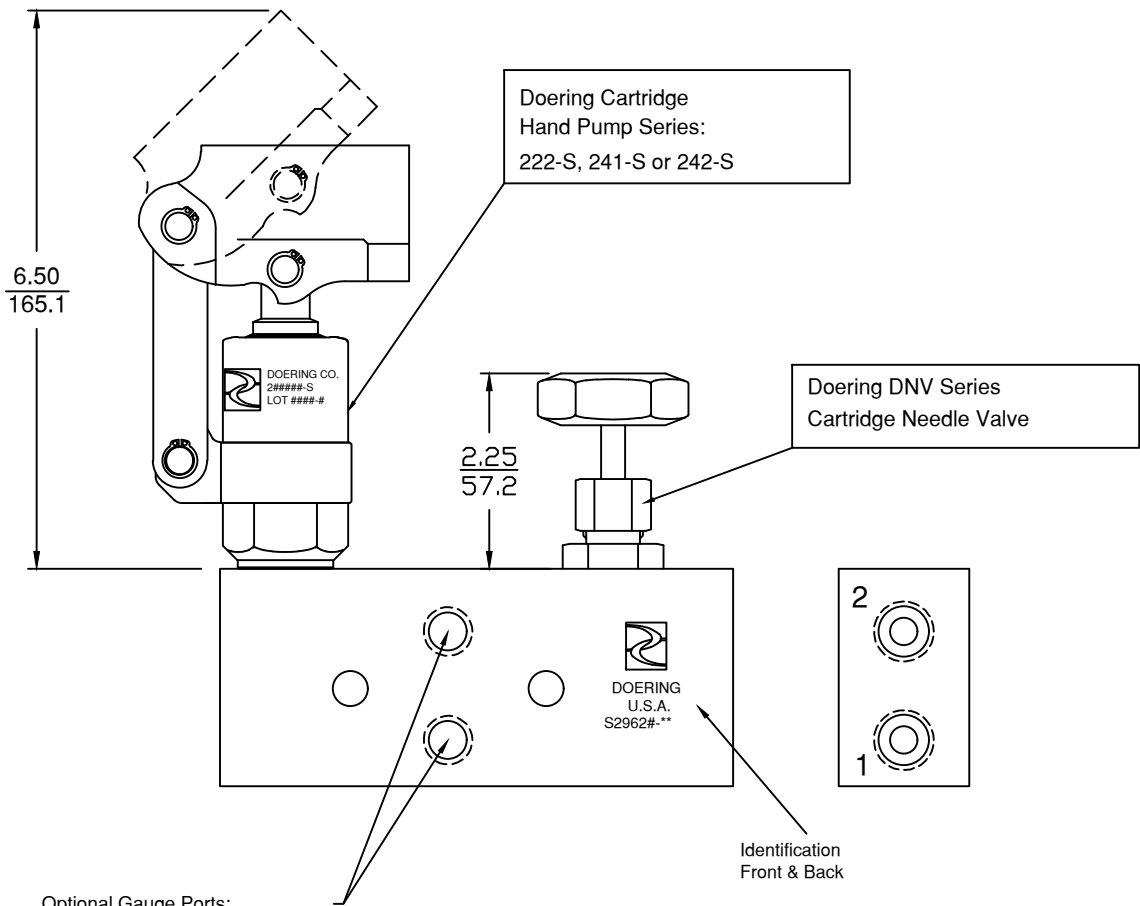
S2962 Series Housing
Designed for use with
222-S, 241-S or 242-S Series
Doering Cartridge Hand Pump

6343 RIVER ROAD SE ■ CLEAR LAKE, MN 55319 USA
Telephone: 320-743-2276 ■ Fax: 320-743-3723
mailto:mailbox@doering.com ■ www.doering.com



DOERING

INCH
METRIC

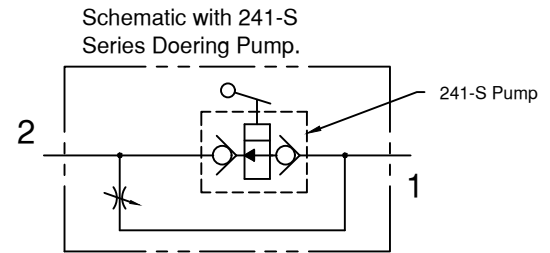


Optional Gauge Ports:
Upper and Lower Locations,
Front & Back (4 PL.)

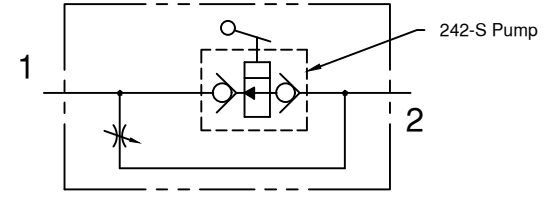
Identification
Front & Back

Example Assembly: Order Components Separately.

- S2962#-## Doering Housing. See Page 1 for Part Number Detail.
- 222###-S Doering Cartridge Pump, Ref. Spec. Sheet 1202250
- 241###-S Doering Cartridge Pump, Ref. Spec. Sheet 1202251
- 242###-S Doering Cartridge Pump, Ref. Spec. Sheet 1202252
- DNV-K-10-#-###-### Doering Needle Valve, Spec Sheet 1201273
- Gauge, Not Available through Doering at this time.



Schematic with 241-S Series Doering Pump.



Schematic with 222-S or 242-S Series Doering Pump.

S2962 Series Housing Illustrated with Doering Cartridge Pump and Needle Valve

6343 RIVER ROAD SE ■ CLEAR LAKE, MN 55319 USA
 Telephone: 320-743-2276 ■ Fax: 320-743-3723
 mailbox@doering.com ■ www.doering.com

