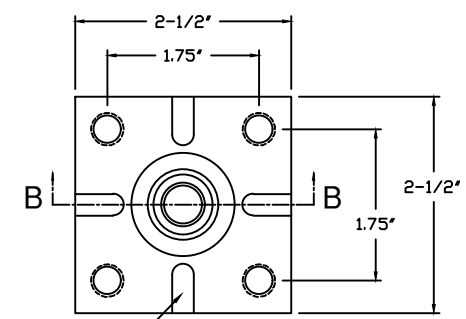
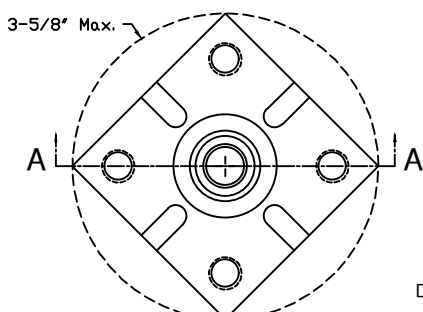
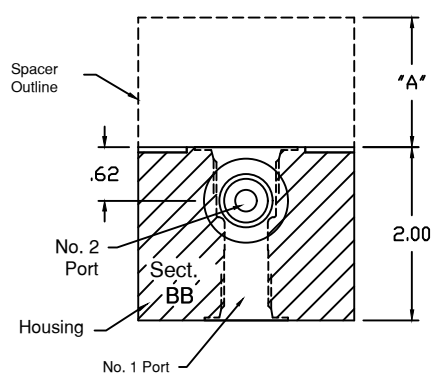
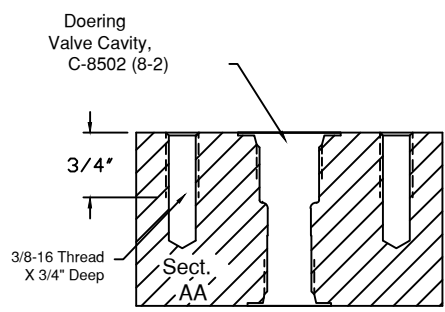


6343 RIVER ROAD SE ■ CLEAR LAKE, MN 55319 USA
 Telephone: 320-743-2276 ■ Fax: 320-743-3723
 mailbox@doering.com ■ www.doering.com



Drain Channel (4 PL.)



INCH
 METRIC

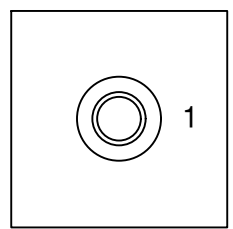
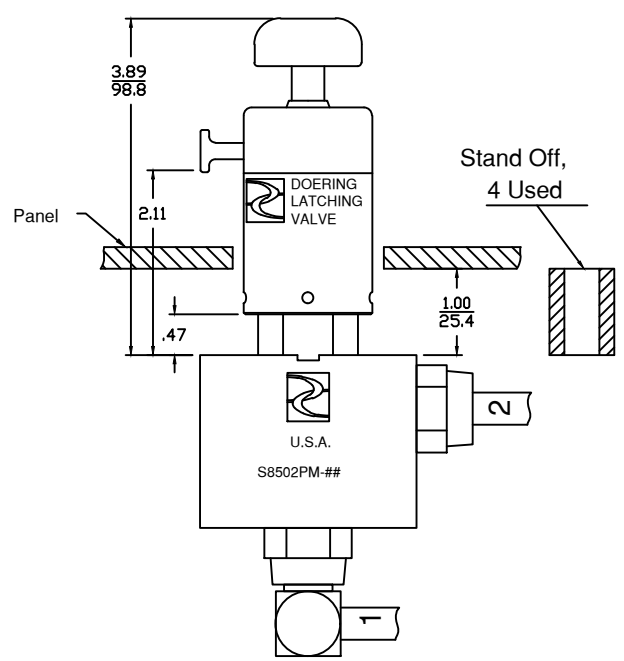


Illustration Assembly scaled with optional Stand Off Spacers between Panel Mount Housing and back side of panel face material. One Inch (25.4mm) Stand Off illustrated.



Panel Mount housings may be mounted directly to the site panel, or Doering SO- Series Stand Off Spacers may be used to improve access to the valve wrench hex area or to control the protrusion of the valve from the panel face. Please see Doering SO- Series Stand Off Spacers on Spec. Sheet 1203290.

ORDER INFORMATION:

S8502PM-

Ports 1 & 2

- 1 (1/8 NPT)
- 2 (1/4 NPT)
- 3 (3/8 NPT)
- 4 (SAE4, ORB)
- G4 (G 1/4-19 BSPP)
- 6 (SAE6, ORB)
- G6 (G 3/8-19 BSPP)

Material Option, Pressure Rating

- Blank (6061 Aluminum)
- S (304 Stainless)
- S316 (316 Stainless)

Doering SPM Series

Doering Panel Mount Housing

