

**DESCRIPTION**

A 2-Way, normally closed, manually operated, push knob to open, latching in the open position, spring-return, screw-in, directional hydraulic cartridge valve, poppet design.

**FEATURES**

Actuator mechanism may be rotated 360° for ease of access to Latch Release Pin. Ability to rotate is for access only. Valve does NOT latch by rotating!

Actuator area is isolated from system ports through a 10 Micron sintered filter.

**OPERATION**

Once the valve is fully actuated, it is held in the actuated position until released by pulling the Latch Release Pin. Upon pulling the latch release pin, the valve spring returns the poppet to the closed position as illustrated by the functional symbol.

It is ideal to connect the No. 1 Port of the valve to the lowest pressure port, typically the Tank port.

See "SHIFT FORCE NOTES" and Caution Note regarding PSI limitation when Latching feature is engaged.

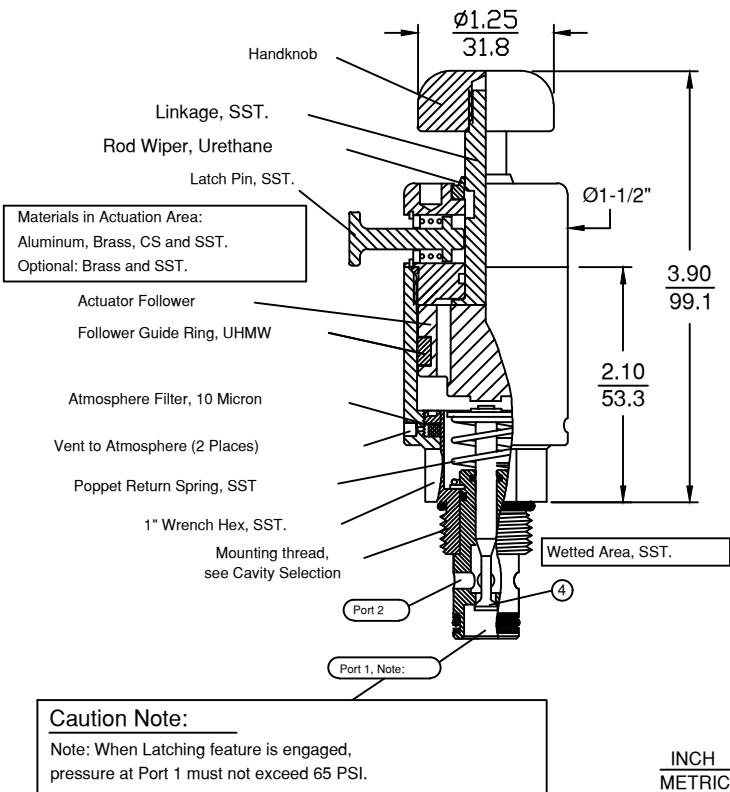
**SHIFT FORCE NOTES:**

10 to 15 Pounds of Force is required to shift the valve poppet with zero pressure on ports 1 and 2.

Any pressure on Port No. 1 will increase the Force Requirement by .030 X PSI.

Any pressure on Port No. 2 will increase the Force Requirement by .003 X PSI.

**CARTRIDGE VALVE**



Materials in Actuation Area:  
Aluminum, Brass, CS and SST.  
Optional: Brass and SST.

**Caution Note:**  
Note: When Latching feature is engaged, pressure at Port 1 must not exceed 65 PSI.

**INCH**  
**METRIC**

**RATINGS:**

Working Pressure:  
Port 1, Latched 65 PSI  
Cavity C-8502, 5,000 PSI,  
Cavity C-8542, 5,000 PSI Port 1  
Cavity C-8542, 3,000 PSI Port 2

Fluid temperature:  
-45°F, (42.7°C) to 200°F, (93.3°C)

**Cavity & Housing**

For 82H#227M##1 Valve:  
Cavity Drawing:  
1200630 Spec. Sheet

Line Mount Housings:  
1200672 Spec. sheet

Panel Mount Housings:  
1202981 and 1203290  
Spec. Sheets

**Cavity & Housing**

For 84H#227M##1 Valve:  
Cavity Drawing:  
1200621 Spec. Sheet

Line Mount Housings:  
1200674 and 1201455  
Spec. Sheets

Panel Mount Housings:  
1202982 and 1203290  
Spec. Sheets

Valve Number: **8#H#227MOL#1**

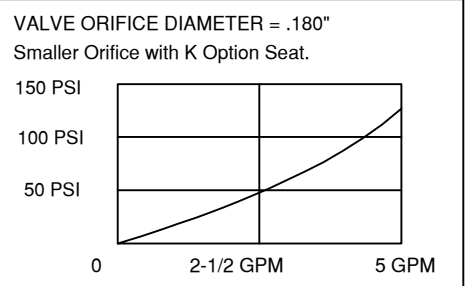
2 = 3/4-16 Thread  
Cavity C-8502  
( 8-2 )

4 = 7/8-14 Thread  
Cavity C-8542  
( 10-2 )

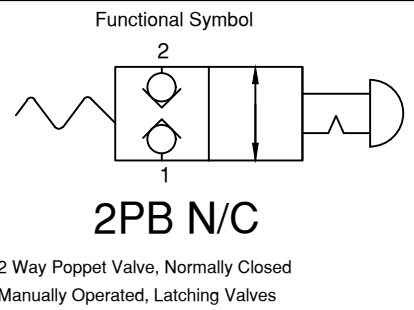
**Operators:**  
K = Knob, Aluminum  
R = Knob, Red Ano.  
S = Knob, Stainless

Blank = Standard Hard Seat  
K = Kel-F Soft Seat with  
Hard Seat backup. Ref. Key 4  
Reduces Flow C  $v = 0.3$  Prox.

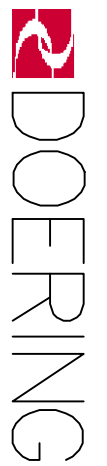
**PRESSURE DROP CHART**  $C_v = 0.4$   
Hard Seat Only.



**2PB SERIES**



6343 RIVER ROAD SE CLEAR LAKE, MN 55319 USA  
Telephone: 320-743-2276 Fax: 320-743-3723  
mailto:mailbox@doering.com www.doering.com



SPEC. SHEET NO. 1203104 REV. 005