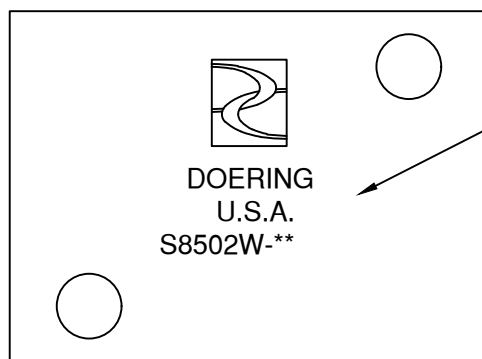
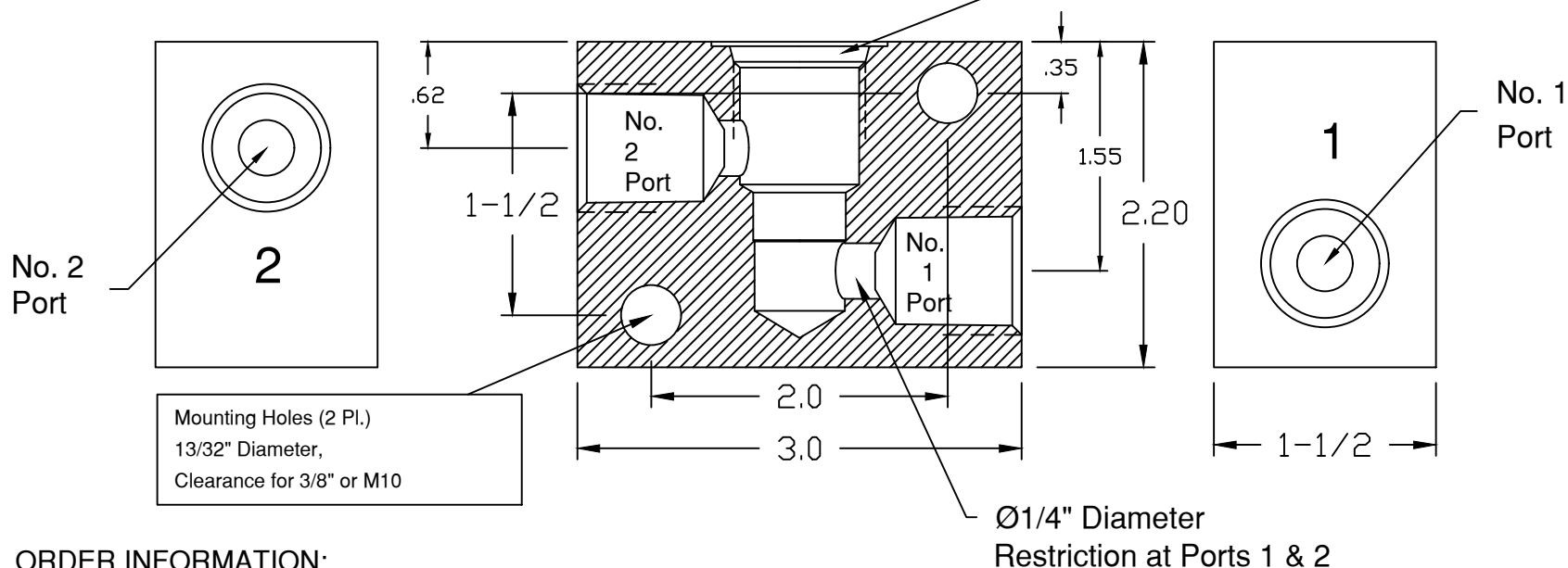


6343 RIVER ROAD SE ■ CLEAR LAKE, MN 55319 USA
 Telephone: 320-743-2276 ■ Fax: 320-743-3723
 mailbox@doering.com ■ www.doering.com



Identification
Front & Back

Valve Cavity:
Doering C-8502
Industry 8-2



Mounting Holes (2 Pl.)
13/32" Diameter,
Clearance for 3/8" or M10

ORDER INFORMATION:

S8502W-

Ports 1 & 2

- 1 (1/8 NPT)
- 2 (1/4 NPT)
- 3 (3/8 NPT)
- 4 (SAE4, ORB)
- 5 (1/2 NPT)
- 6 (SAE6, ORB)
- 8 (SAE8, ORB)

Material Option, Pressure Rating

Pressure Note: Double pressure rating for Port 1 only.
 Applies to Port Sizes -1, -2, -3, -4 and -6

Blank	(6061 Aluminum)	3,000 PSIG
S	(304 Stainless)	5,000 PSIG
S316	(316 Stainless)	5,000 PSIG

Ø1/4" Diameter
Restriction at Ports 1 & 2

Doering Line Mount Housing for
Cartridge Valve, Wide Body Style.

Also see Spec. Sheet No. 1200672
for smaller Line Mount body style.

Also see Spec. Sheet No. 1202981
for Panel Mount Housing.



DOERING